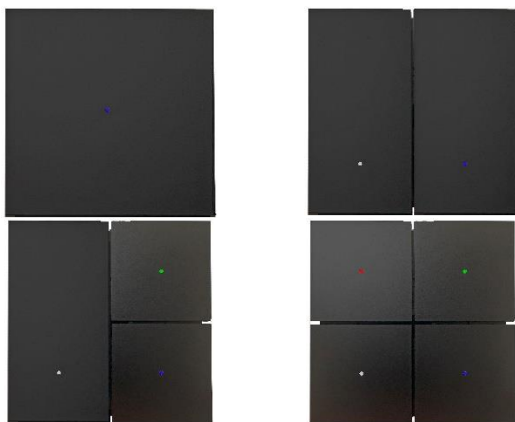




TOUCH PRO METAL SWITCH (1/2/3/4) (Neutral, Non-Neutral)



PRODUCT INTRODUCTION

The APEX smart keypad switch is an intelligent device that can be remotely controlled through the Z-Wave network (800 LR Series). In Z-Wave network communications, this product can be connected to any standard Z-Wave gateway. This product has five touch buttons with two actions (long press and short press). The RGB backlight status color for each button and icons can be swap by dealer without any machine.



SPECIFICATIONS

Model number	APX-GSSA-XXX
Power requirement	100 to 240VAC
Power consumption	<1W
Frequency	868.4MHz EU (optional)
Z-wave Series	800 LR
Operational temperature	-10 to +70 °C
Humidity	5% to 90% non-condensing
Weight	0.2 kg
Material	Aluminum
Standard Size	86x86m EU size
Total Load (Non-Neutral)	1200W Res, 400W LED
Total Load (With Neutral)	1800W Res, 600W LED

ADD TO Z-WAVE NETWORK

1. Connect the device to a power source
2. Make sure LED status lights are fixed
3. Touch and hold the last button for 4 seconds, blue LED indicators start blinking (note that the gateway must be in identification mode). When identifying mode starts, the blinking color goes green and waits to complete joining. 4. When joining is completed, all LED lights will be fixed.

REMOVE FROM Z-WAVE NETWORK

1. Make sure the device is powered.
2. Set Z-Wave gateway into exclusion mode (Refer to gateway user manual)
3. Touch and hold the last button for 12 seconds, red led lights will be blinking. If the gateway is

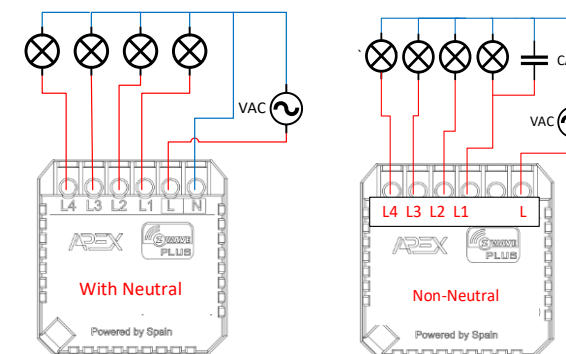


in exclusion mode, the device will be removed from the network.

RESET TO FACTORY SETTING (Network reset)

Touch and hold the last button for 12 seconds, red LED lights will be blinking then release the button and press and hold for more 12 seconds. The light switch will restart and finish.

WIRING DIAGRAM



SERVICE

Your Thermostatic keypad switch carries a 24-month warranty from the date of purchase.

Parameters:

[Light switches Parameters 800 series .pdf](#)